





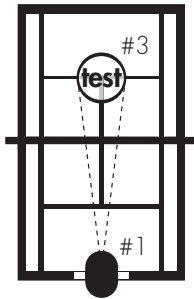


QUICK START-UP GUIDE ELO5 CALIBRATION

If you have questions about your machine, DON'T contact your dealer; please call Lobster Sports directly at 800.210.5992







1. Place the machine and its white plastic line marker directly above the baseline and make sure the machine is centered over the center mark of the baseline.
2. Press power button  and wait for automatic calibration to complete.
3. Press the test button . Machine will launch one ball over the net towards the "T" where center and service line meet.
4. The ball should land within a 2 foot radius of the "T."
If the test ball lands too near or far from the "T," use the / buttons to adjust the distance, retest. If the ball lands slightly right or left, nudge the front of the machine to the right or left and retest.
5. Once the test ball lands in the correct spot, press  or one of the training modes and press .

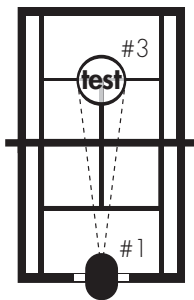


◀..... See reverse side for programming instructions▶

QUICK START-UP GUIDE ELO5 CALIBRATION

If you have questions about your machine, DON'T contact your dealer; please call Lobster Sports directly at 800.210.5992




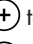
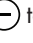

1. Place the machine and its white plastic line marker directly above the baseline and make sure the machine is centered over the center mark of the baseline.
2. Press power button  and wait for automatic calibration to complete.
3. Press the test button . Machine will launch one ball over the net towards the "T" where center and service line meet.
4. The ball should land within a 2 foot radius of the "T."
If the test ball lands too near or far from the "T," use the / buttons to adjust the distance, retest. If the ball lands slightly right or left, nudge the front of the machine to the right or left and retest.
5. Once the test ball lands in the correct spot, press  or one of the training modes and press .




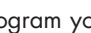



◀..... See reverse side for programming instructions▶

QUICK START-UP GUIDE PROGRAMMING

CREATE YOUR FIRST PERSONAL PROGRAM

1. Press the  button.
2. To select a location press one of the 1-18 number buttons.
3. Adjust the SPEED, SPIN, FEED with the  button
4. Use the  buttons to high-light the "Next + Back -" line.
 - Press  to begin programming the next shot in your drill.
 - Press  to return to the main menu.
5. Press play button  to start the drill.
6. For accuracy, make ball speed & spin changes incremental between shots.

EDITING AN EXISTING PROGRAM


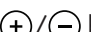




1. Press the  button to display the overall Program screen.
2. Use the  buttons to select the program you wish to adjust.
3. Push the  buttons to highligh SHOT, then adjust number to reflect which shot in the sequence you wish to adjust (1st, 2nd, 5th shot...)
4. Highlight EDIT & press the  button.
5. Press 1-18 number buttons to chose a new location for your shot or  to remove it from the drill.
6. Adjust shot elements (SPEED, SPIN, FEED).

P# 1 PLAY TO RUN
SHOT: 3 EDIT: NO
LOCS 3 14 12 11
12 13


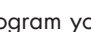



◀..... See reverse side for calibration instructions▶

QUICK START-UP GUIDE PROGRAMMING

CREATE YOUR FIRST PERSONAL PROGRAM

1. Press the  button.
2. To select a location press one of the 1-18 number buttons.
3. Adjust the SPEED, SPIN, FEED with the  button
4. Use the  buttons to high-light the "Next + Back -" line.
 - Press  to begin programming the next shot in your drill.
 - Press  to return to the main menu.
5. Press play button  to start the drill.
6. For accuracy, make ball speed & spin changes incremental between shots.

EDITING AN EXISTING PROGRAM

1. Press the  button to display the overall Program screen.
2. Use the  buttons to select the program you wish to adjust.
3. Push the  buttons to highligh SHOT, then adjust number to reflect which shot in the sequence you wish to adjust (1st, 2nd, 5th shot...)
4. Highlight EDIT & press the  button.
5. Press 1-18 number buttons to chose a new location for your shot or  to remove it from the drill.
6. Adjust shot elements (SPEED, SPIN, FEED).

P# 1 PLAY TO RUN
SHOT: 3 EDIT: NO
LOCS 3 14 12 11
12 13

◀..... See reverse side for calibration instructions▶