
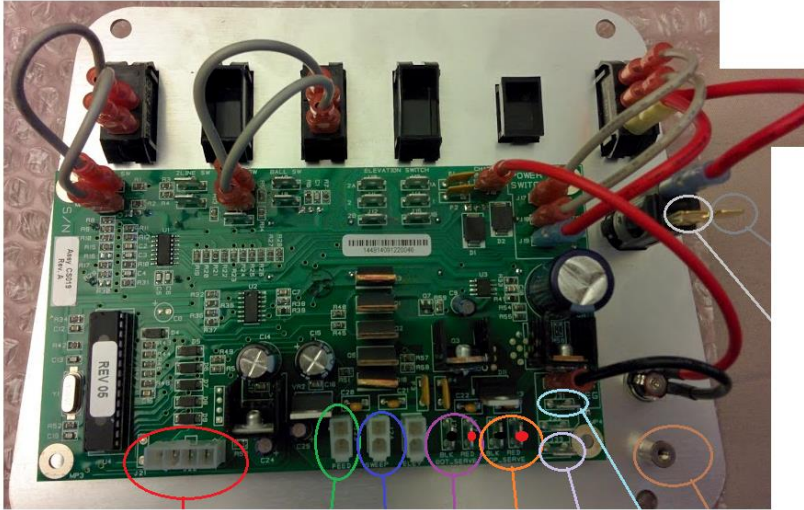


Replacing and Installing a Liberty Board.

Step	Description	Tools	Picture
	<p>Models that Apply: ELOL</p> <p>This instruction is to help guide you through installing a new control panel for your Elite Liberty model machine. Please use the image as reference to ensure you have the correct control panel. If your panel says 'elite Grand 4' or 'elite 3' on the front lower left-hand side of the panel or looks differently on the circuit board section (shown in the 2nd picture), please contact Lobster Sports Customer Service at 1-818-764-6000 for a Return Authorization (<i>they might ask for a picture by e-mail as proof, and your machine serial number which is located underneath the machine on a white sticker readings ELO*-*****</i>).</p> 	<p>Phillips Screw Driver and Needle Nose Pliers</p>	

Replacing and Installing a Liberty Board.



Unscrewing your Control Panel

Step 1.) Unscrew the 4 black screws at the top right, left, and bottom right, left sections of the control panel. Pull on the panel until it is hanging by its wires. *Note: This is easiest to do if the red case is still on the machine, as it gives the cables and wires more slack.*

Step 2.) Disconnect the Red and black wires from the battery. *Note: This will ensure no power is running through the board, so that no wires will accidentally get burnt if they a positive touches a negative contact.*

Phillips Screw Driver



Liberty Control Panel attached to red case.



Battery for Freedom and Liberty machines.

**Connecting The New Liberty Board.
Motor Connections.**

Step 1.) You will be disconnecting generally a pair of wires or a single wire from the old panel, and connecting it to the proper location on the new panel, one at a time, until all of the wires are transferred from the old board, to the new board. The diagram and images below will help guide you through where each wire is located.

Each wire or wire pair is notated by a color and letter (in this guide). The lower case letters are from the old Liberty board, and the capital letters are from the New Liberty board.

Needle Nose pliers



- a. Top Server Motors (pair red and black) marked in orange.

Replacing and Installing a Liberty Board.

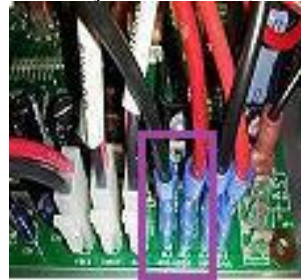
You will start with the Motor Connections.

Motor Connections

- Top Server Motor (Shown in Orange)
- Bottom Server Motor (Shown in Dark Purple)
- Feed Motor (Shown in Green)
- Sweep Motor (Shown in Dark Blue)



a. Top Server Motors (pair red and black) marked in orange.



b. Bottom Server Motors (pair red and black) marked in Dark Purple.



c. Feed Motor Wire (shown in Green)



d. Sweep Motor Wire (Shown in Dark Blue)



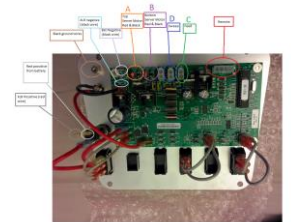
b. Bottom Server Motors (pair red and black) marked in Dark Purple.



c. Feed Motor Wire (shown in Green)

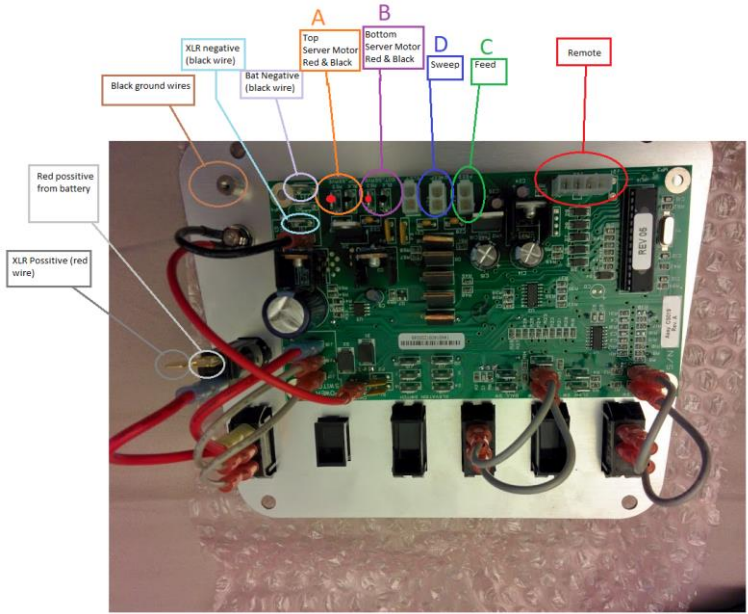


d. Sweep Motor Wire (Shown in Dark Blue)



Liberty Circuit Board (locations labeled)

Replacing and Installing a Liberty Board.



Liberty Board
 A = Top Serv
 B = Bot Serv
 C = Feed
 D = Sweep

**Connecting The New Liberty Board.
 Power Wire Connections.**

Step 2.) Following the same process, you will now disconnect the Power Wire connections from the old Liberty board and connect onto the New Liberty Board.

Power Wire Connection

- e. Battery Negative Wire (black) from battery terminal on back of control panel. (Shown in light purple)
- f. Battery Positive Wire (red) from battery terminal to connection tab on back of reset switch. (Shown in light grey)

Needle
 Nose
 Pliers

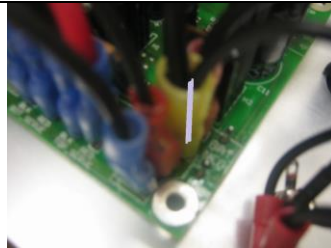


e. Battery Negative Wire (shown in light purple).



f. Battery Positive wire (shown in light grey)

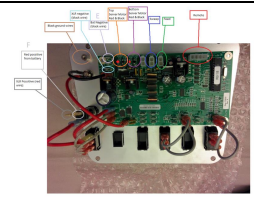
Replacing and Installing a Liberty Board.



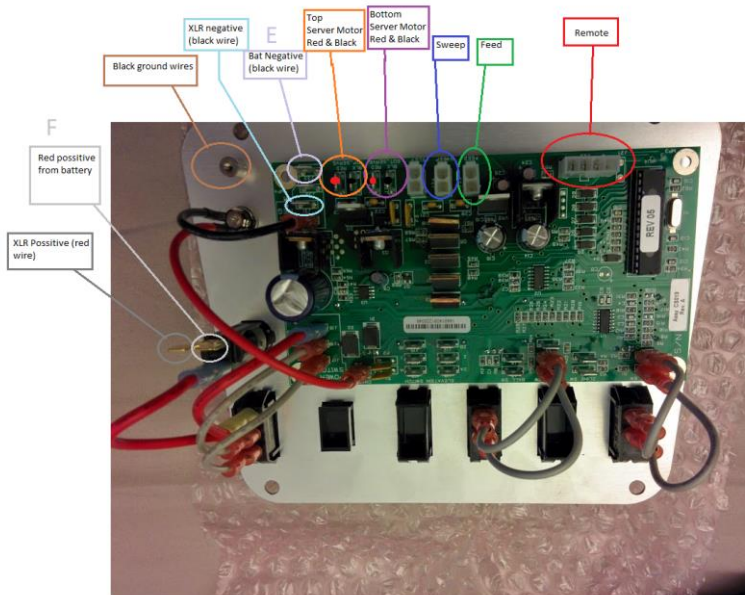
e. Battery Negative Wire (shown in light purple).



f. Battery Positive wire (shown in light grey)



Liberty Control Panel (all labeled)



Liberty Control Panel

E = Battery Negative (black wire coming from the battery)

F = Positive Red wire (Red wire coming from the battery)

**Connecting The New Liberty Board,
Ground Wire Connection.**

Step 3.) Following the same process, you will now disconnect the Ground Wire Connection from the old Liberty board and connect onto the New Liberty Board.

Phillips
Screw
Driver

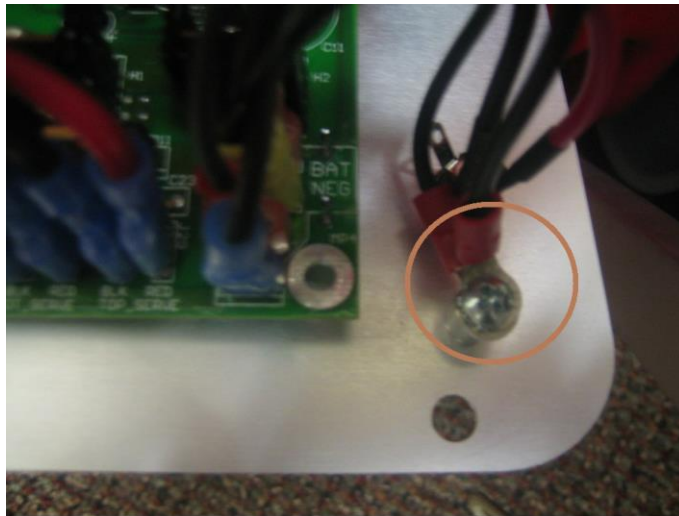


g. Ground wires from feed and battery negative black wire

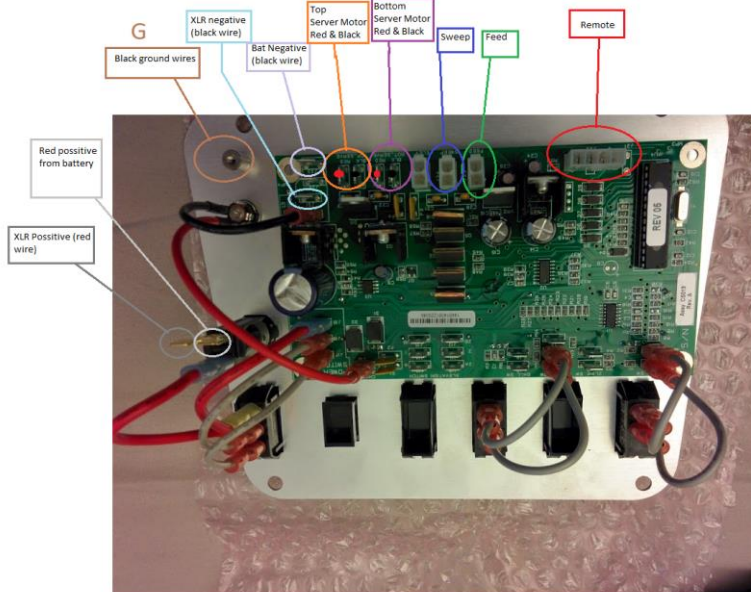
Replacing and Installing a Liberty Board.

Ground Wire Connection

- g. Ground wire (black) from feed motor (Coming from the top of the machine). Note there is also a small ground wire coming from the Battery Negative black wire (which at this point has already been moved to the new liberty panel). These are held in by a screw on the new panel, that screw into a pole on the side of the green board. (Ground wires Shown in **Light Brown**).



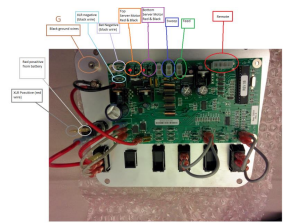
g. Ground wires from feed and battery negative black wire (shown in light brown)



Liberty Control Panel

G = Ground Wires (both small wire coming off of Battery)

(shown in light brown)



Liberty Control Panel (connections labeled)

Replacing and Installing a Liberty Board.

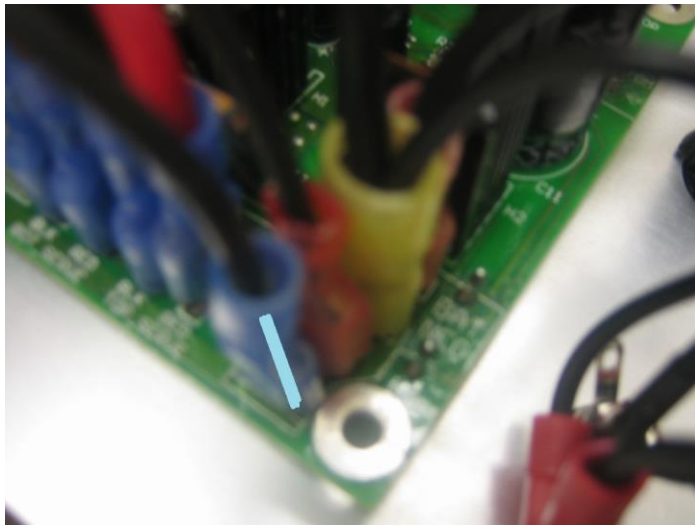
negative wire, and the long black wire coming from the top of the machine).

**Connecting The New Liberty Board,
Charger Jack Connection.**

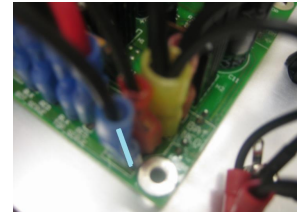
Step 4.) Following the same process, you will now disconnect the Charger Jack connections from the old Liberty board and connect onto the new Liberty Board.

Charger Jack Connection

- h. XLR Charger Jack black negative wire to tab . (Shown in **Light Blue**)
- i. XLR Charger Jack Red positive wire to tab. (Shown in **Dark Grey**)



The negative XLR wire (shown in **light blue**)

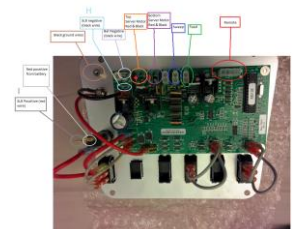


The negative XLR wire (shown in **light blue**)



The positive XLR wire (shown in **Dark Grey**)

Needle
Nose
Pliers

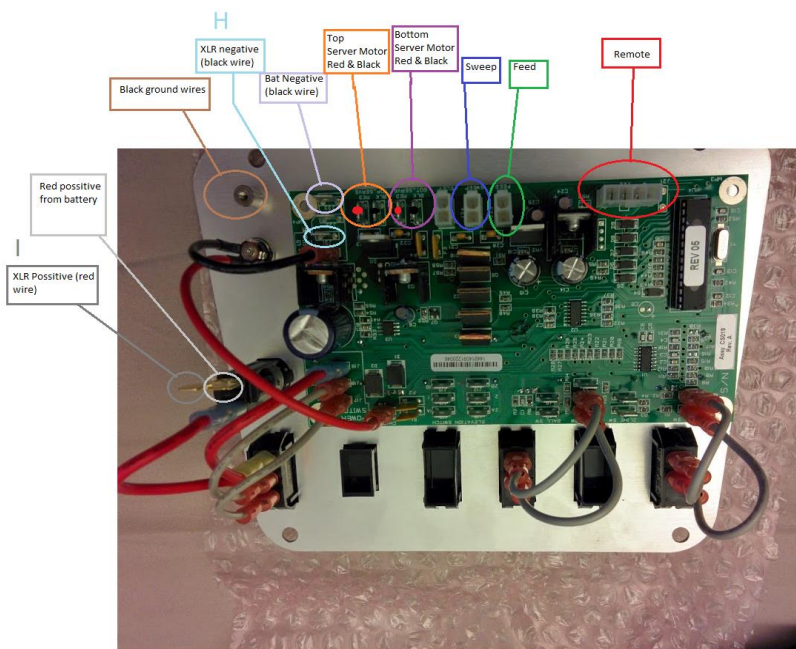


Liberty Control panel (with connections labeled).

Replacing and Installing a Liberty Board.





The positive XLR wire (shown in Dark Grey)



Liberty Control Panel

H = XLR negative wire (black wire)
I = XLR positive wire (red wire)

Replacing and Installing a Liberty Board.

	<p align="center">Re-connecting the Battery Wires.</p> <p>Step 1.) Plug the Red wire into the Battery Positive terminal (red square) on the battery.</p> <p>Step 2.) Plug the Black wire into the Battery Negative terminal (black square) on the battery.</p>	<p>Needle Nose Pliers</p>	 <p>Battery for Freedom and Liberty machines.</p>
	<p align="center">Re-Attaching the Control Panel</p> <p>Step 1.) Put the control panel back onto the Red Case. Line up the 4 holes (top right, left, and bottom right left) and screw all 4 black control panel screws until the control panel is securely in place. <i>Note: Do not overtighten the screws, as you want to have it secure, but not too tight to remove the control panel in the future.</i></p> <p>Step 2.) Run a test of the machine, by turning the power on, and testing the Sweep, Speed, Spin, and Feed. After testing all of these functions, turn the power off and connect the charger to ensure the machine is charging.</p>	<p>Phillips Screw Driver</p>	 <p>Liberty Control Panel attached to red case.</p>