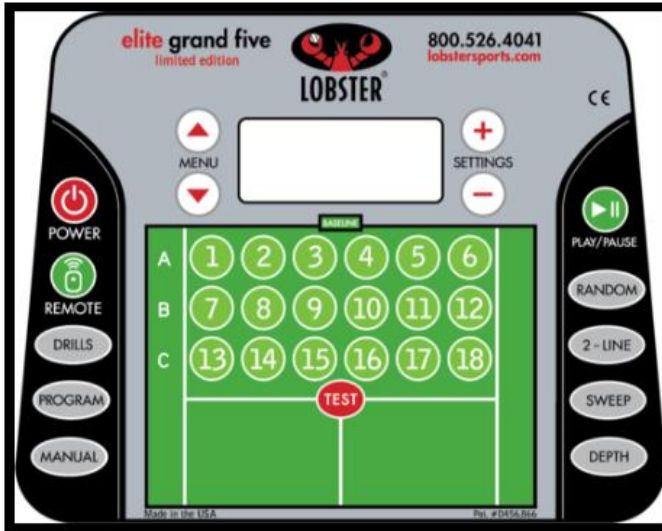


Replacing and Installing a Control Panel Grand Machine

Step	Description	Tools	Picture
	<p>Models that Apply: Elite model Grand 4, 5, & 5-LE.</p> <p>This instruction is to help guide you through installing a new control panel for your Elite Grand 4, 5, 5-LE model machines. Please use the image as reference to ensure you have the correct control panel. If your panel says "elite Liberty" or "elite 3" on the front lower left-hand side of the panel or looks differently on the circuit board section (shown in the 2nd picture), please contact Lobster Sports Customer Service at 1-818-764-6000 for a Return Authorization (<i>they might ask for a picture by e-mail as proof, and your machine serial number which is located underneath the machine on a white sticker readings ELO*-*****</i>).</p>	<p>Phillips Screw Driver, and needle nose pliers</p>	

Replacing and Installing a Control Panel Grand Machine



Replacing and Installing a Control Panel Grand Machine

Unscrewing You Control Panel

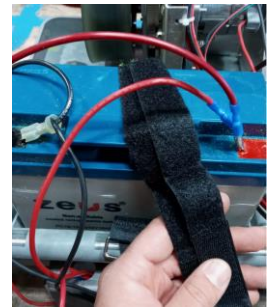
Step 1.) Using a Philips screw driver, unscrew the 4 control panel screws that are holding the old panel to the back of the red case (in between the lower folding handle). *Note: If your control panel was sent under warranty with-in the first year of ownership of the machine, it is likely that you sent the old control panel back, and there is no old control panel to be removed.*

Step 2.) Disconnect the Positive (red wires) and Negative (black) wire 's from the battery terminal.

Step 3.) You can simply disconnect 1 wire from the old control panel, and reconnect it on the new control panel, one wire at a time, until all of the old wires have been transferred onto the new control panel. In order to help you, we have also showed were these wires connect and what they look like. The rest of the guide will show this in sections of small wires to make this task easier to follow.



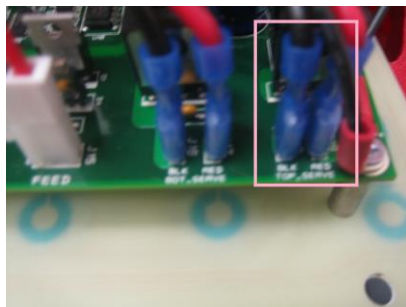
4 Control Panel Screw Locations.



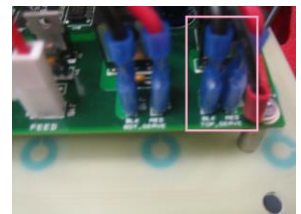
Battery Terminals (grand series).

**EL04-EL05LE
Motor Connections**

- a. Top Server Motor (marked in Pink)
- b. Bottom Server Motor (Marked in Orange)
- c. Feed Motor (Marked in light Green)
- d. Elevation Motor (Marked in light Blue)
- e. Sweep Motor (Marked in dark Blue)



a. Top Server Motor (marked in Pink)

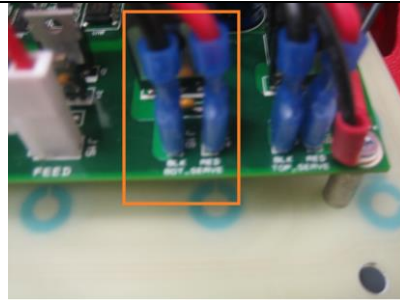


a. Top Server Motor (marked in Pink).

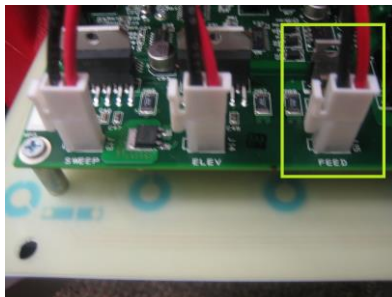


b. Bottom Server Motor (marked in Orange).

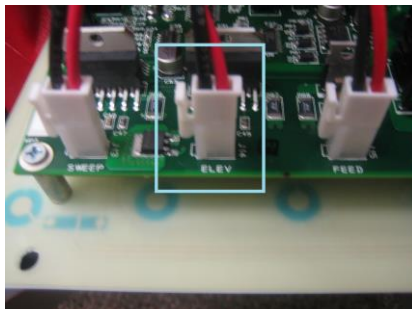
Replacing and Installing a Control Panel Grand Machine



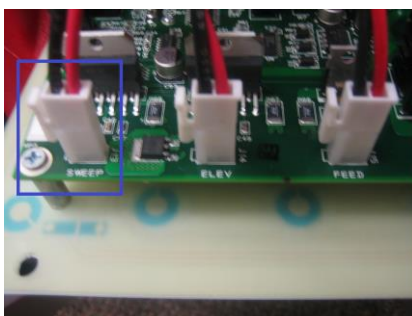
b. Bottom Server Motor (Marked in Orange)



c. Feed Motor (Marked in light Green)

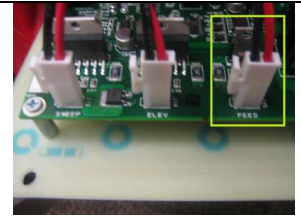


d. Elevation Motor (Marked in light Blue)

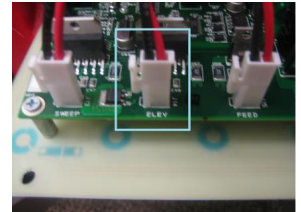


e. Sweep Motor (Marked in dark Blue)

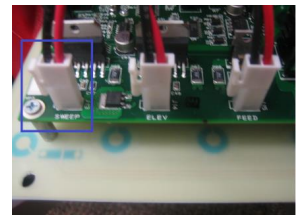
Below is Grand 4,5,5-LE Wire Reference Diagram



c. Feed Motor (marked in light green).

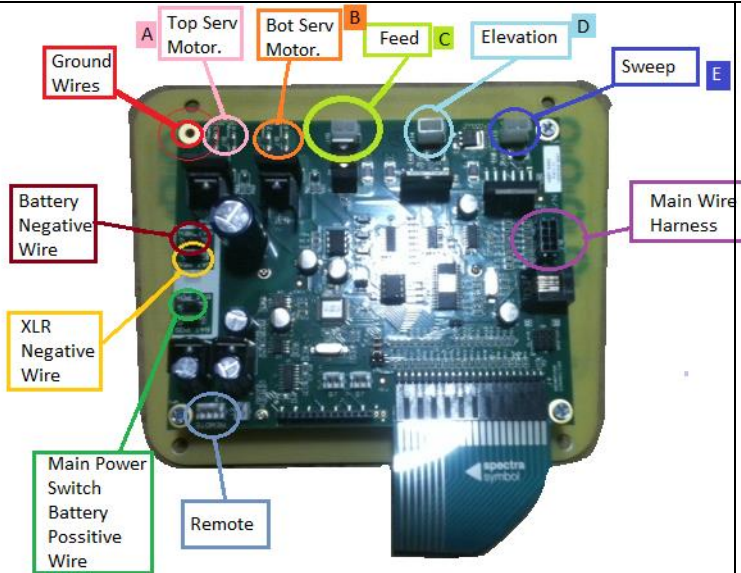


d. Elevation Motor (marked in light blue).



e. Sweep Motor (marked in dark blue).

Replacing and Installing a Control Panel Grand Machine



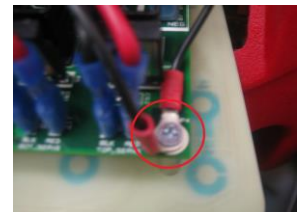
Grand 4, 5, and 5-LE Panel with Labels

Power Wire Connection

- f. Battery negative wire (black) from battery terminal to "Bat Neg" connection tab on green board. The battery negative has an attached "pigtail" wire that connects to the ground screw on the lower right corner of control panel. (Marked in **Dark Red**).

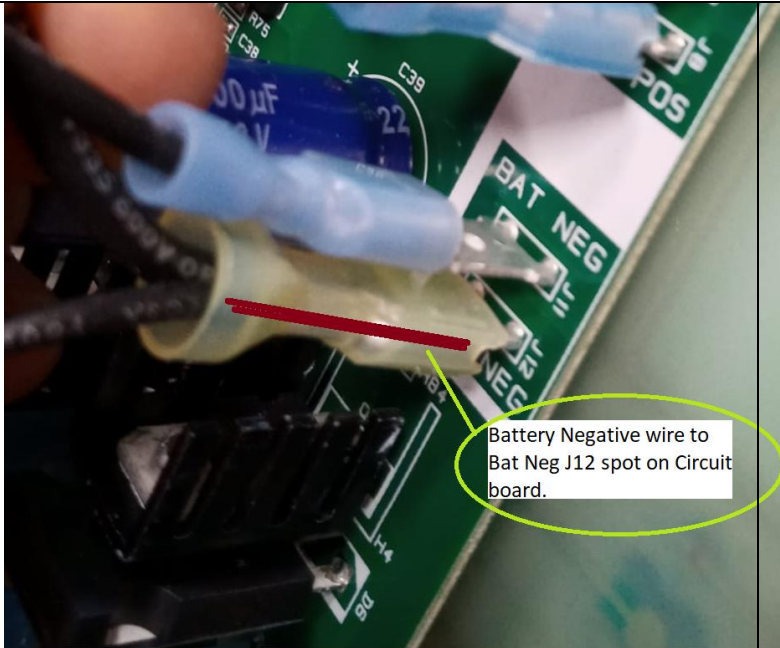


Battery negative connected to Bat Neg J12 on circuit board (marked in dark red).



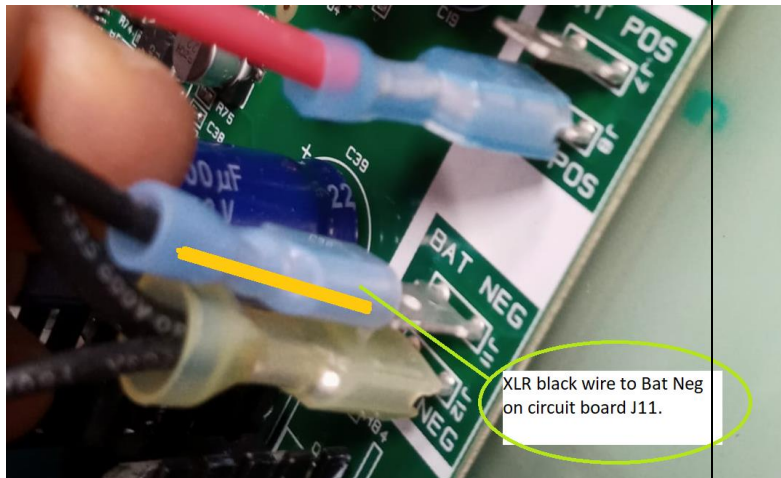
Ground Wire Connection Screw (marked in red).

Replacing and Installing a Control Panel Grand Machine



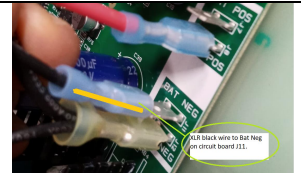
f. Battery Negative wire (marked in **Dark Red**).

g. XLR Negative wire from Charging Port to "Bat Neg" on circuit board. (Marked in **Gold**).

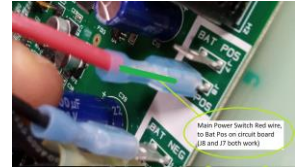


i. XLR Black wire (Marked in **Gold**).

h. Main Power Switch Red wire (from underneath the machine on the left-hand side) to "Bat Pos" connection tab on green electronic board. (Marked in **Green**).

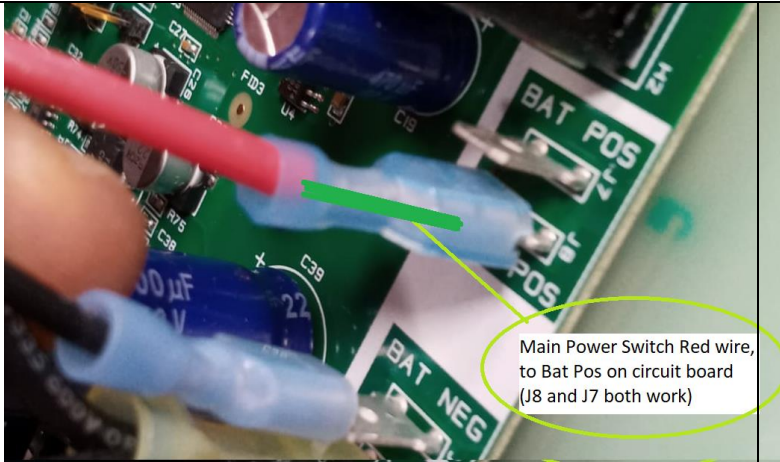


Black XLR wire to Bat Neg (J11 or J12) on circuit board (marked in gold).



Main Power Switch Red wire to Bat Pos (battery positive) on circuit board. J8 and J7 locations are both the same current (marked in green).

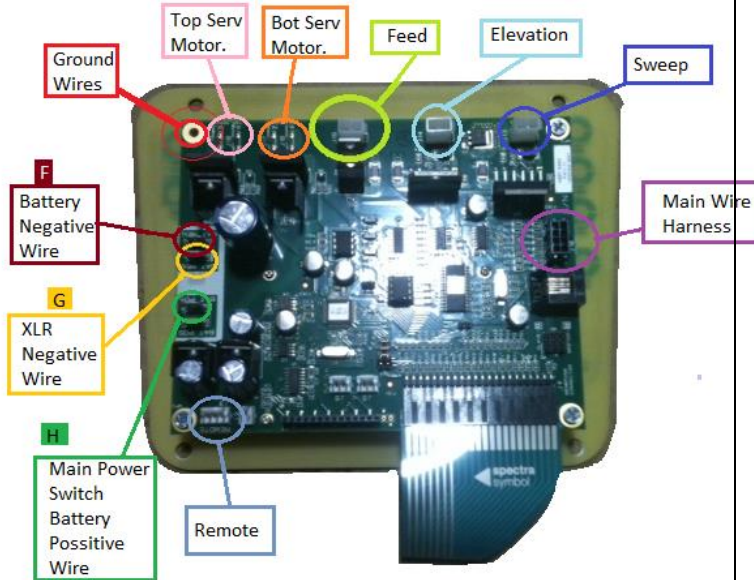
Replacing and Installing a Control Panel Grand Machine



Main Power Switch Red wire, to Bat Pos on circuit board (J8 and J7 both work)

h. Main Power Switch Red wire (Marked in Green).

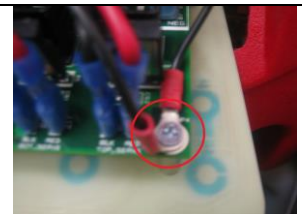
Below is Grand 4,5,5-LE Wire Reference Diagram



Grand 4,5,5-LE Panel with Labels

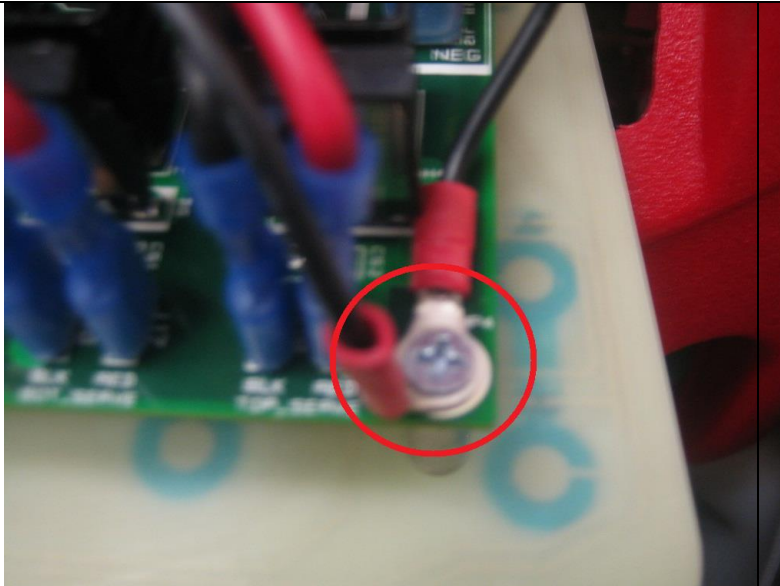
Ground Wire Connection

- i. Ground wire (black) from feed motor (additional black wire attached to screw on feed motor) to corner ground screw on green electronic board. (Marked in Red).



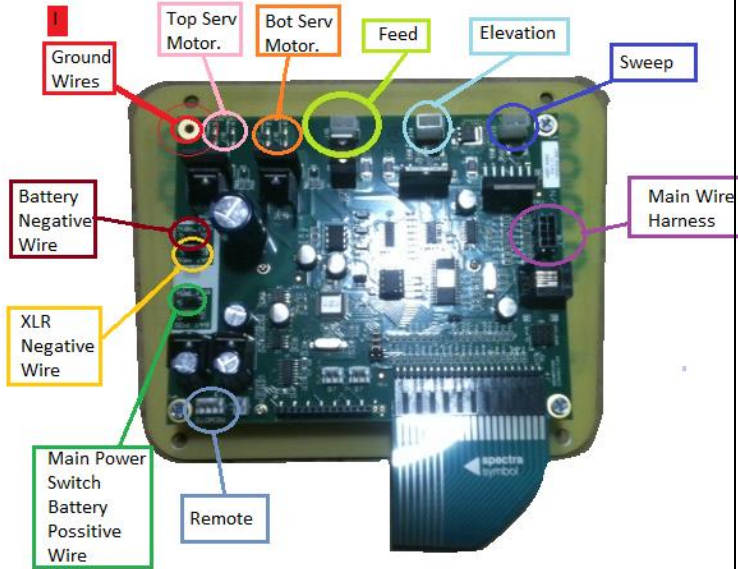
Ground Wire Connection Screw (marked in red).

Replacing and Installing a Control Panel Grand Machine



i. Ground Wires (Marked in Red).

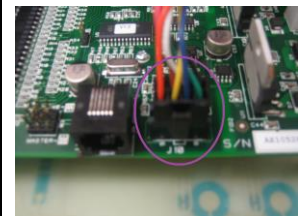
Below is Grand 4,5,5-LE Wire Reference Diagram



Grand 54,5,5-LE Panel with Labels

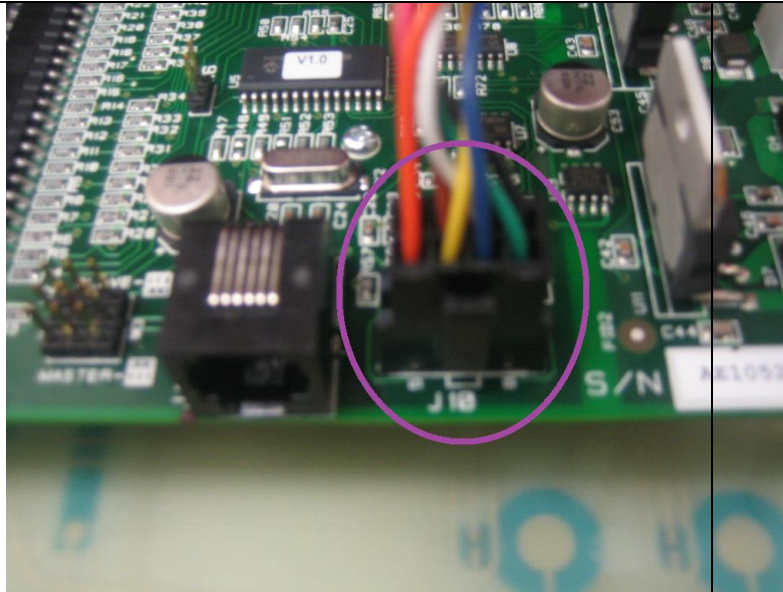
Sensor Harness Connection

j. Sensor Harness (multiple wire connector) to "J10" connection on board. (Marked in Purple).



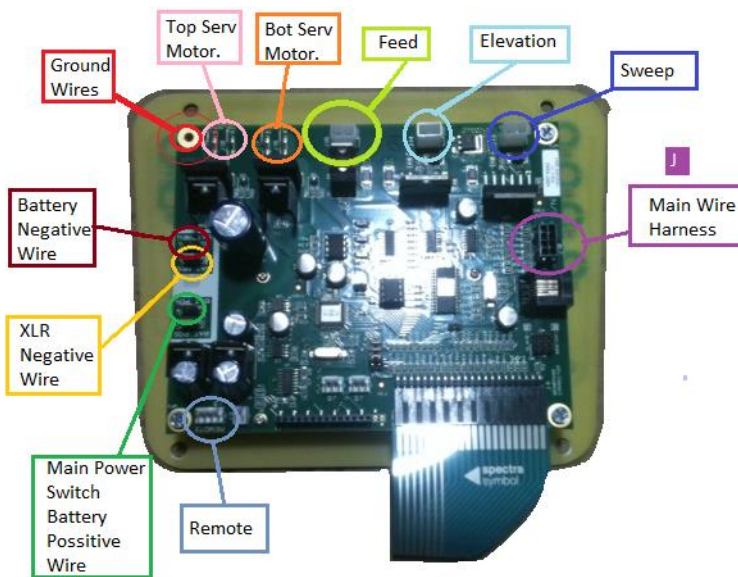
Sensor Harness Connection (marked in purple).

Replacing and Installing a Control Panel Grand Machine



Sensor Harness Connection (Marked in Purple).

Below is Grand 4,5,5-LE Wire Reference Diagram



Grand 4,5,5-LE Panel with Labels

Remote Control Connection

k. Remote Control Receiver (multiple wire connector) if included, to connection labeled "Remote" on board. (marked in medium blue).



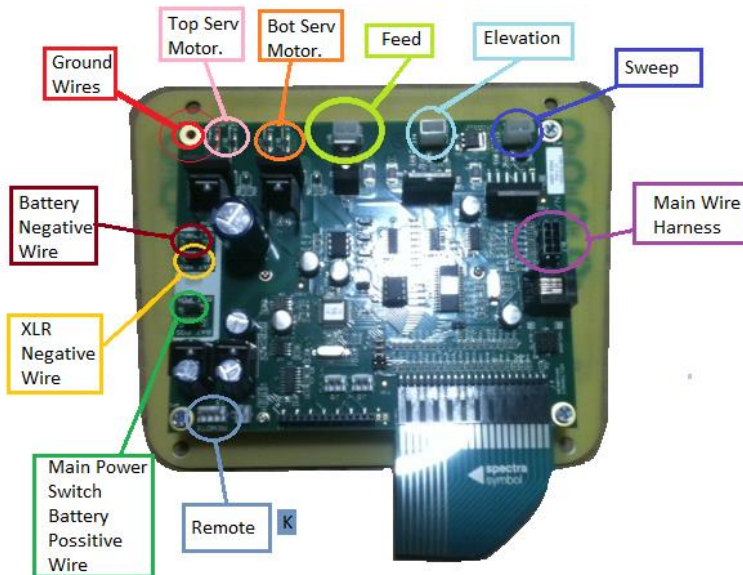
4 pronged Remote connector

Replacing and Installing a Control Panel Grand Machine



Remote (Marked in Medium Blue).

Below is Grand 4,5,5-LE Wire Reference Diagram



Grand 4,5,5-LE Panel with Labels

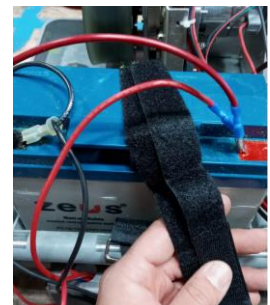
jack. (marked in medium blue).

Reconnecting Your Battery Wires

Step 1.) With the new control panel installed, you can now reconnect the Black battery terminal wire to the negative section of the battery, and the Red battery terminal wire's (battery positive wire) to the positive section of the battery.


Step 2.) You can now fasten the control panel to the red case, using the 4 black control panel screws.

Step 3.) It is important to ensure the new board is functioning properly. Once the machine is fully tested, we



Battery Terminals (grand series).

Replacing and Installing a Control Panel Grand Machine

	<p>recommend checking the charger. <i>Note: If for what ever reason you find some function not working properly, first unscrew the control panel to ensure everything is connected properly, and no wire came disconnected in the process of reconnecting the battery wire terminals. If you find that there are no disconnected wires, but the machine is still not starting up, please see our "my machine won't turn on" troubleshooting guide on our website. If upon reviewing this guide, the problem continues, please contact Customer Service at 1-818-764-6000.</i></p>		 <p>4 Control Panel Screw locations.</p>